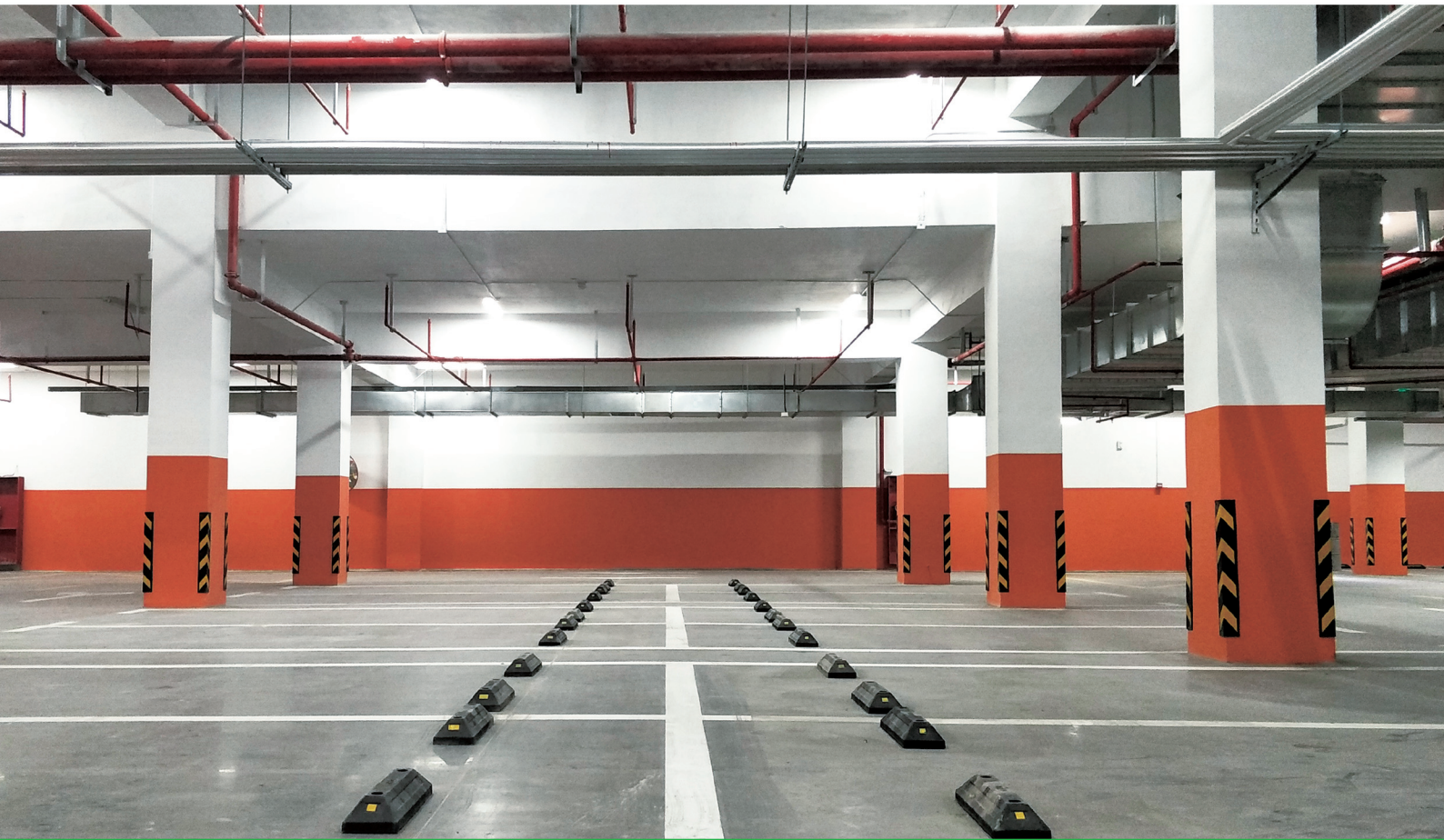




Leading a Green Life!



For Green Building

Car Park CO monitoring system
CO2 monitoring system



Detectors: AGD200, AGD200-CO2, AGD200-TH

Controller: AGS3000

Designed for
Green Buildings

"Data collection and analysis of indoor carbon dioxide concentration, and linkage with the ventilation system, get 5 points... The underground garage is equipped with a carbon monoxide concentration monitoring device linked to the exhaust equipment, and the evaluation score is 5 points."

——"Green building evaluation standard"GBT50378-2014

CO/CO2/Temp. & Humidity

The system selects the special sensor to detect CO/CO2/temperature and humidity respectively, and can observe the current concentration value in real time on the controller interface. When the concentration exceeds the standard, the controller automatically alerts you.

Automatic Ventilation

The system can intelligently identify different fire compartment/room air quality conditions, automatically control the corresponding partition/room ventilation system to start and stop, and minimize building energy consumption.

Centralized Control

The system comes with standard signal output, which can upload monitoring signals to centralized control systems such as PLC and industrial computer. It can provide customized terminal monitoring software according to different needs.



AGD200 series detector

Detect CO/CO2/temperature and humidity in the environment

Highly sensitive sensor, fast response

Network cable interface, easy to install and wire

Built-in dial switch, flexible adjustment of address code



AGS3000 series controller

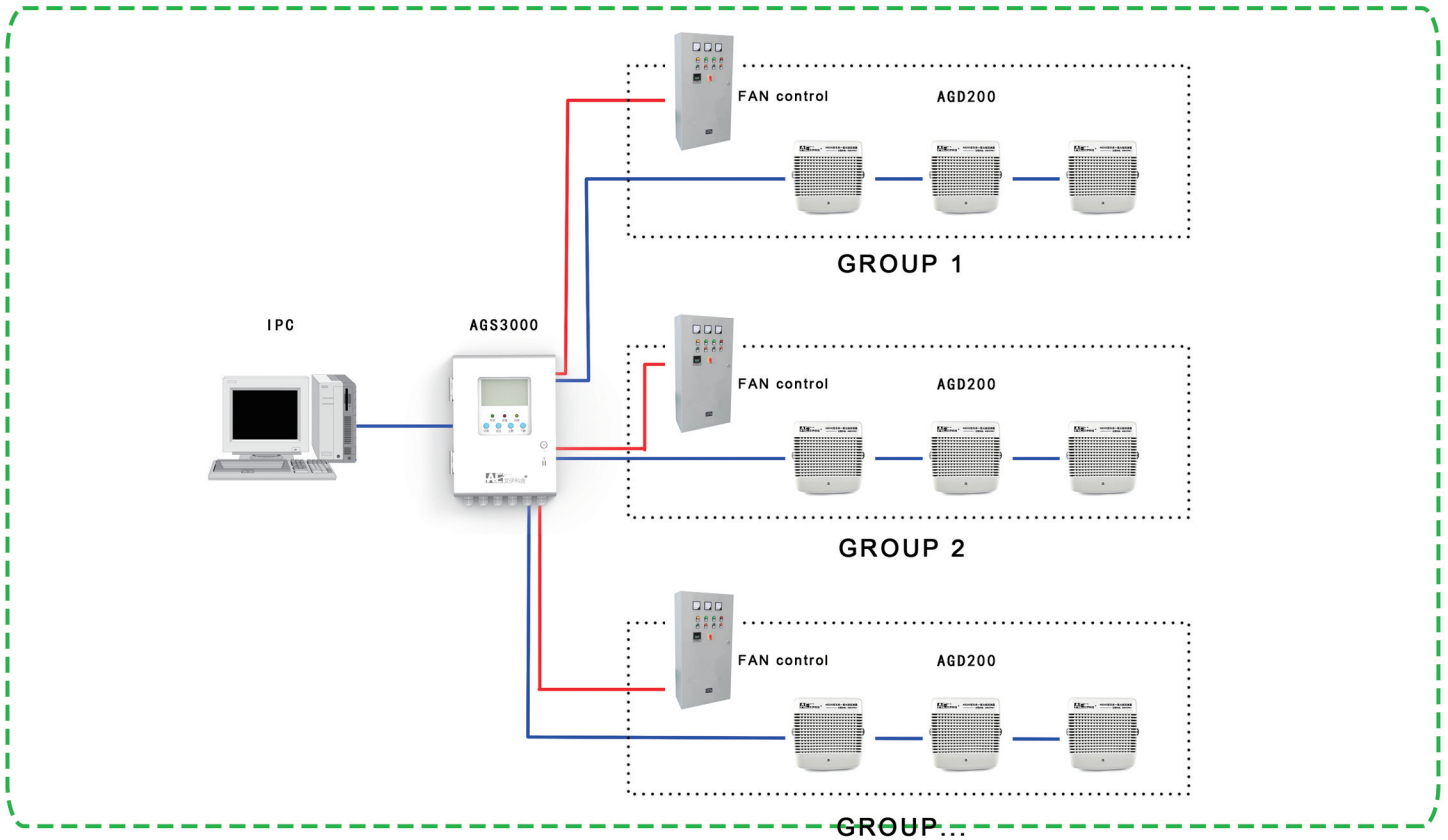
Color LCD display, real-time monitor and alarm

Automatic sound and light alarm for both Fault and over-standard alarm

RS485 signal input and output, able to uploading to the PLC etc.

Up to 9 relay outputs, customizable grouping, support for partition control

System Introduction



Terminal display



Optional terminal display system, customized interface, it shows the status of all location in a centralized manner. At the same time, it has functions such as concentration curve, history record, alarm record and multi-account management.

Linkage control

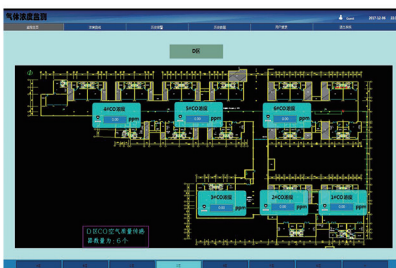


The controller has built-in multi-input and 9 relays, and can freely group the detectors to realize partition control function. At the same time, the controller built-in alarm value setting, delay start and other optional linkage needs.

On-site monitor



The detector is installed in each fire compartment/room. The installation location should consider the factors such as gas concentration, detection representativeness and installation convenience. The detector is connected to the controller via a network cable.



AE 探测器				
NO	CH	VALUE	STATUS	ALARMS
				CH VALUE



Specifications

AGD200 series Detector					
		Parameters	AGD200	AGD200-CO2	AGD200-TH
Target Object	CO	electrochemical	●	-	-
	CO2	infrared	-	●	-
	Temp&Humidity	\	-	-	●
Function	Measure Range	CO: 0-200ppm	●	-	-
		CO2: 400-2000ppm	-	●	-
		Temp: -10°C~60°C	-	-	●
		Humidity: 20-90%RH	-	-	●
	Accuracy	CO: ±5ppm	●	-	-
		CO2: ±(50ppm+5% readings)	-	●	-
		Temperature: ±2°C	-	-	●
		Humidity: ±5%RH	-	-	●
Electrical	Power Supply	24VDC	●	●	●
	Consumption	≤1W	●	●	●
	Signal Output	RS485	●	●	●
	Cable	Shielded network cable	●	●	●
Environment	Ambient Temp.	-10°C~55°C	●	●	●
	Pressure	80-120kPa	●	●	●
Structure	Body Material	ABS	●	●	●
	Connection	RJ45	●	●	●
	Weight	0.17kg	●	●	●
	Dimensions	106*120*42mm(H*W*D)	●	●	●

AGS3000 Control Panel			
	Parameters		Parameters
Channel Capacity	20	Display	color LCD screen
Power Supply	220VAC	Indication Lamp	power, alarm, fault
Consumption	≤75W	Ambient Temp.	0°C~40°C
Signal Input	RS485	Ambient Humidity	10~95%RH (non-condensing)
Signal Output	RS485	Ambient Pressure	80-120kPa
Relay Output	9	Body Material	carbon steel
Group	3	Weight	3.5kg
Cable	Shielded network cable	Dimensions	347*235*90mm (H*W*D)

*All pictures, configurations and parameters in this document are for reference only. There may be differences with the actual products. Please refer to the real products.



AIYI Technologies

Authorized Distributor: